

HERMETIC SEALED DC CONTACTOR (Bi-directional DC Contactor)

EVHB100

(H: 1500V Class)

Application (응용분야) : Electric Vehicle, Charging System, Battery Energy Storage System, Fuel Cell Vehicle, etc.

Magnet coil ratings (코일정격)

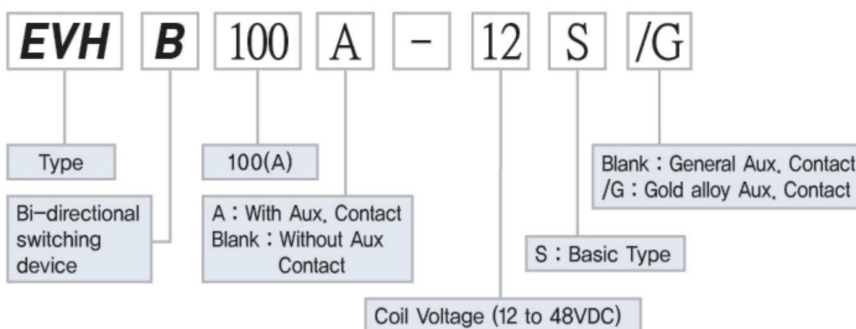
Nominal voltage (V)	Item	Nominal current (mA)	Coil resistance (Ω)	Pick-up voltage (V) max.	Drop-out voltage (V) min.	Max. voltage (V)	Coil power (W) dissipation
DC	12	530	22.8	75%	10%	130%	6.2 to 6.5
	24	260	92.5				
	48	130	370				

Notes : 1. Nominal current and coil resistance are measured at +20°C. 2. Differences of coil resistance are ±10%.
3. Performance characteristic coil temperature is measured at +20°C.

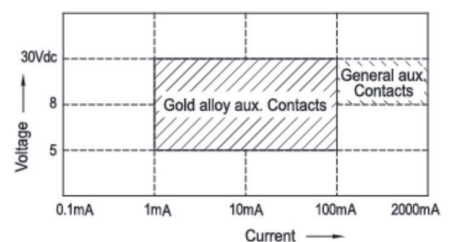
Contact ratings (접점정격)

Item	Type	1 Pole Resistor load
		EVHB100
Max. Continuous current (wire size 50mm ²)		100A
Max. switching voltages		1500VDC
Contact rating switching voltages		12 to 1500VDC
Max. cut-off current		350VDC 2000A 1 Ops
Voltage drop across contact after 20A		20mV Max. (At 5VDC)
Min. permissible load		12VDC 0.5A
Description		S.P. On/Off (a)
Contact arrangement, auxiliary contacts		1Form A (SPST-NO)
General Aux. Contact Current, Max.		2A 30VDC / 3A 125VAC
Gold alloy Aux. Contact Current, Min.		100mA 8VDC
Gold alloy Aux. Contacts Max ^o		0.1A 30VDC
Gold alloy Aux. Contacts Min.		1mA 5VDC

Ordering information (주문방법)



Permissible load of Aux. contact





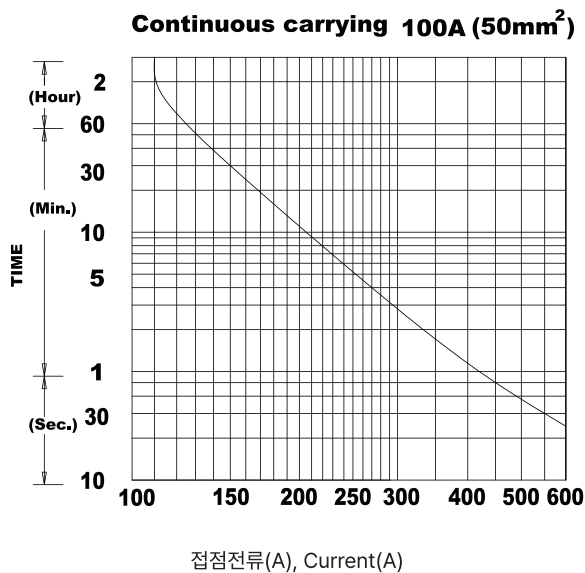
⊙ Characteristics (성능)

Initial insulation resistance		Min. 100MΩ 1000VDC
Expected life	Mechanical (Min.)	
	Electric (Min.) (Resistor)	750VDC 100A
		1000VDC 90A
		1250VDC 40A
1500VDC 30A		
Initial breakdown voltage	Between open contacts	4500VAC 60 Sec. 5mA
	Between contacts & coil	4500VAC 60 Sec. 5mA
Operate time (at 20°C)		Max. 25ms
Release time (at 20°C)		Max. 10ms
Shock resistance	Functional	Min. 196 m/s ² {20G}
	Destructive	Min. 490 m/s ² {50G}
Vibration resistance	Functional	98 m/s ² {10G} 10 to 500Hz
	Destructive	196 m/s ² {20G} 10 to 500Hz
Conditions for operation transport and storage	Ambient temperature	-40°C to +85°C
	Humidity	5 to 85% R.H.
Unit weight		180g

⊙ Reference data (특성곡선)

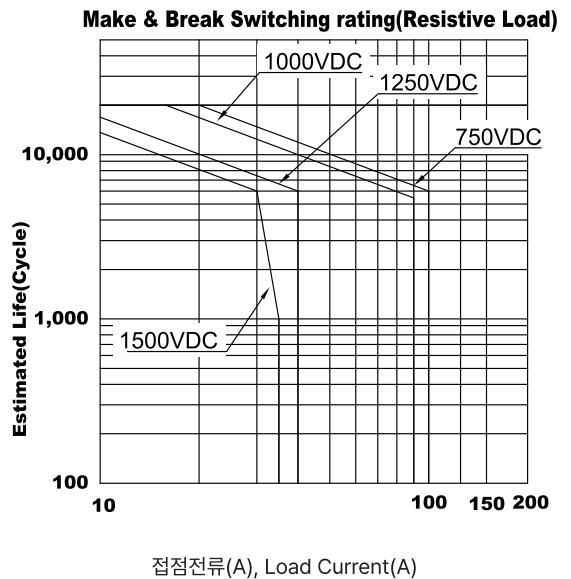
온도상승곡선

- 통전시간의 최대치 Max. Current capacity
- Max. Continuous thermal current rating (amperes)



전기적 수명 곡선

(Estimated Switching Ratings)



HERMETIC SEALED DC CONTACTOR (Bi-directional DC Contactor)

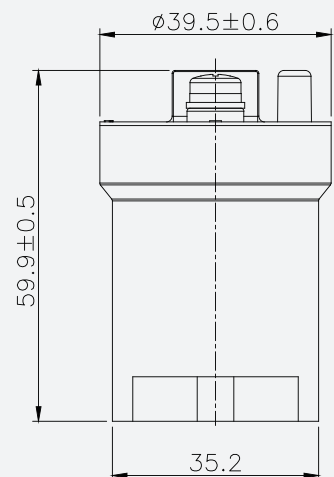
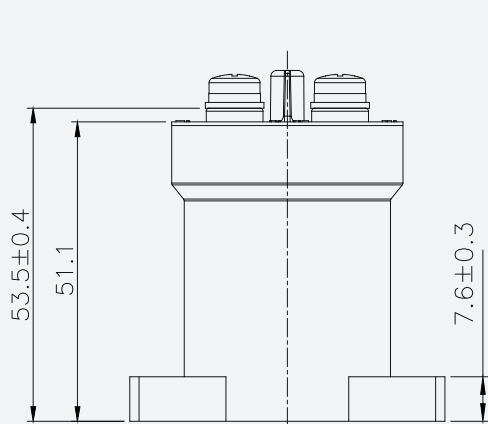
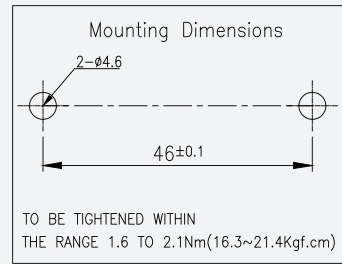
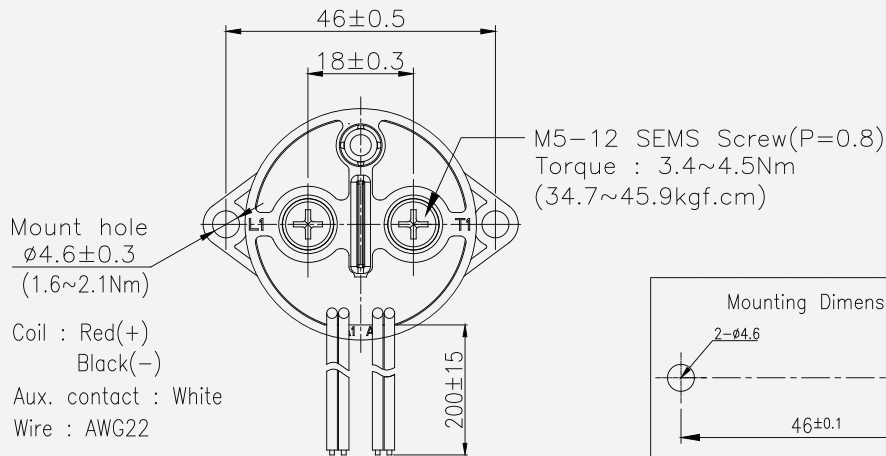
EVHB100

(H: 1500V Class)



Dimension in mm (외형치수도)

Tolerance(공차) : 10mm 이하±0.3, 10~50mm ±0.6, 50mm 이상±1.0



Schematic (Top View)

